

The logo features the word "ThinkPad" in a bold, black, sans-serif font with a red dot above the "i". To its right is a large "X1" where the "X" is black and the "1" is red. Further right, the words "Nano Gen 2" are written in a black, sans-serif font. The entire logo is enclosed within a thin black rectangular border that is slightly offset from the text.

For FSC Mix logo only

For Clevercode Position Only

PN: SP40T80525 Printed in China

* For selected models | Bizonyos modellek esetén | Pentru modelele selectate | เฉพาะบางรุ่นเท่านั้น | Untuk model tertentu




* Lenovo USB-C to Ethernet Adapter



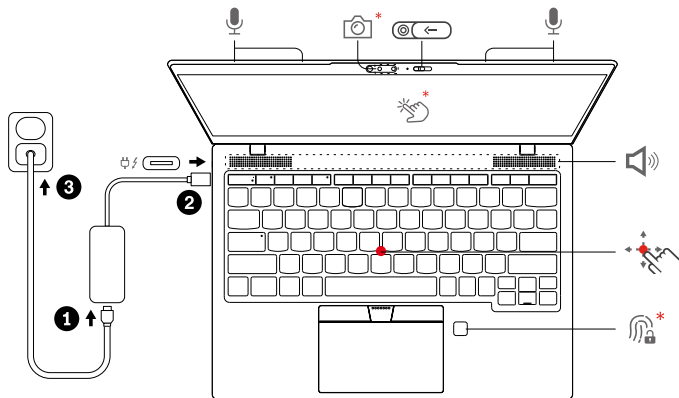

* Lenovo USB-C to VGA Adapter

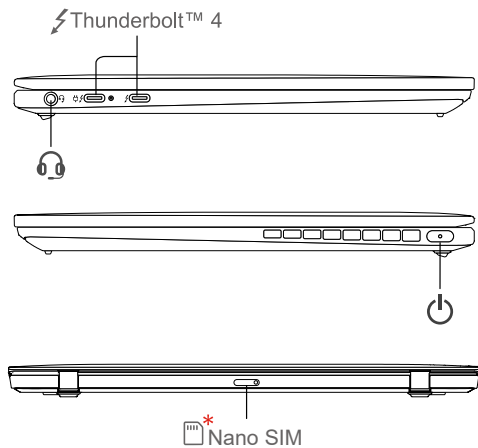



* Lenovo USB-C to HDMI Adapter




* Lenovo USB-C Port Replicator





Commercial Vantage*



Settings | Gépház | Setări
การตั้งค่า | Pengaturan



Smart Assist | Intelligens segítség | Asistent inteligent
Smart Assist | Bantuan Cerdas



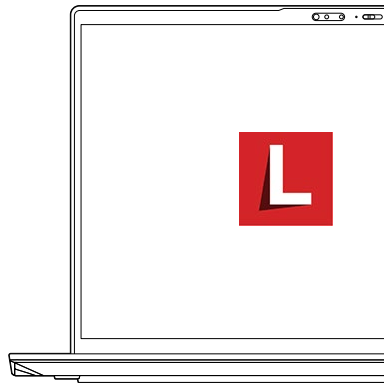
Update | Frissítés | Actualizare
อัปเดต | Pembaruan



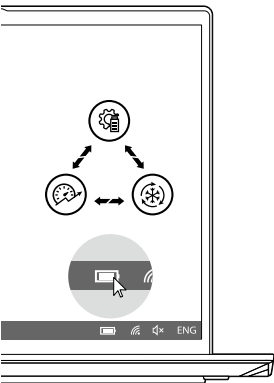
WiFi Security | Biztonságos WiFi | Securitate WiFi
ความปลอดภัยของ WiFi | Keamanan WiFi



Support & Warranty | Támogatás és jótállás
Asistență și garanție | การสนับสนุนและการรับประกัน
Dukungan & Garansi



Intelligent Cooling*



| Adjust Lenovo Intelligent Cooling through Windows Power Slider (Windows 10) or power and battery settings (Windows 11) to get the best mix of battery life, computer performance, and fan speed.

| A Lenovo intelligens hűtésének beállítása a Windows energiagazdálkodási csúszkájával (Windows 10) vagy az energiagazdálkodási és akkumulátorbeállításokban (Windows 11) az akkumulátoros üzemidő, a számítógép-teljesítmény és a ventilátorsebesség lehető legjobb keverékének kiválasztásához.

| Reglați răcirea inteligentă Lenovo cu ajutorul glisorului de alimentare Windows (Windows 10) sau din setările pentru alimentare și baterie (Windows 11) pentru a obține cea mai bună combinație între durata de funcționare a bateriei, performanța computerului și viteza ventilatorului.

| ปรับแต่งระบบระบายความร้อนอัจฉริยะ (Intelligent Cooling) ของ Lenovo ผ่านตัวเลื่อนปรับพลังงานของ Windows (Windows 10) หรือการตั้งค่าพลังงานและแบตเตอรี่ (Windows 11) เพื่อให้ได้การผสมผสานที่ดีที่สุดระหว่างอายุการใช้งานแบตเตอรี่ ประสิทธิภาพคอมพิวเตอร์ และความเร็วพัดลม

| Sesuaikan Pendinginan Cerdas Lenovo melalui Windows Power Slider (Windows 10) atau pengaturan daya dan baterai (Windows 11) untuk mendapatkan perpaduan terbaik antara daya tahan baterai, kinerja komputer, dan kecepatan kipas.

[English]

USB transfer rate

Read the statement on USB transfer rate in the *User Guide*. To access the *User Guide*, go to <https://pcsupport.lenovo.com>.

Specific absorption rate (SAR)

YOUR DEVICE MEETS INTERNATIONAL GUIDELINES FOR EXPOSURE TO RADIO WAVES.

Refer to the following for 10g SAR limit and maximum reported SAR values:

10g SAR limit: 2 W/kg (body-worn SAR); 4 W/kg (limb SAR)

Maximum SAR with 0 mm separation distance: 1.137 W/kg (body-worn SAR); 3.178 W/kg (limb SAR)

For more information about SAR, refer to the *Safety and Warranty Guide* that came with your device.

European Union (EU) / United Kingdom (UK) — radio frequency and power

This radio equipment operates with the following frequency bands and maximum radio-frequency power:

Technology	Frequency [MHz] / band	Maximum transmit power
WLAN 802.11b/g/n/ax	2400 - 2483,5	< 20 dBm
WLAN 802.11a/n/ac/ax	5150 - 5725	< 23 dBm
WLAN 802.11a/n/ac/ax	5725 - 5875	< 13,98 dBm
WLAN 802.11ax	5945 - 6425	< 23 dBm
Bluetooth BR/EDR/LE	2400 - 2483,5	< 20 dBm
WWAN UMTS	1/8	< 24,5 dBm
WWAN LTE	1/3/7/8/20/28/34/38/40/42/43	< 25 dBm
WWAN 5G NR	1/3/7/8/20/28/38	< 24 dBm
WWAN 5G NR	41/77/178	< 27 dBm

Not all wireless bands may be enabled depending on your product configuration.

Usage of this device is limited to indoors in the band 5150 - 5350 MHz, and 5945 - 6245 MHz.

[Magyar]

USB-s átviteli sebesség

Az USB átviteli sebességére vonatkozó nyilatkozat a *Felhasználói kézikönyvben* található. A *Felhasználói kézikönyv* eléréséhez keresse fel a <https://pcsupport.lenovo.com> weboldalt.

Fajlagos energiaelnyelési tényező (SAR)

AZ ESZKÖZ MEGFELEL A RÁDIÓHULLÁMOKNAK VALÓ KITETTSÉGRE VONATKOZÓ NEMZETKÖZI IRÁNYELVEKNEK.

Az alábbiakban további információkat tudhat meg a 10g SAR-határértékről és a legmagasabb jelentett SAR-értékekről:

10g SAR-határérték: 2 W/kg (határérték testen viselés esetén); 4 W/kg (határérték végtagok esetében)

Maximális SAR-érték 0 mm távolság esetén: 1,137 W/kg (határérték testen viselés esetén); 3,178 W/kg (határérték végtagok esetében)

A SAR-ról további információkat a készülékhez mellékelt *Biztonsági és jótállási útmutatóban* talál.

Európai Unió (EU) / Egyesült Királyság (UK) – Rádióberendezések frekvenciája és energiája

Ez a rádióberendezés a következő frekvenciasávokat és maximális rádiófrekvenciás teljesítményt használja:

Technológia	Frekvencia [MHz]/sáv	Maximális átviteli teljesítmény
WLAN 802.11b/g/n/ax	2400 - 2483,5	< 20 dBm
WLAN 802.11a/n/ac/ax	5150 - 5725	< 23 dBm
WLAN 802.11a/n/ac/ax	5725 - 5875	< 13,98 dBm
WLAN 802.11ax	5945 - 6425	< 23 dBm
Bluetooth BR/EDR/LE	2400 - 2483,5	< 20 dBm
WWAN UMTS	1/8	< 24,5 dBm
WWAN LTE	1/3/7/8/20/28/34/38/40/42/43	< 25 dBm
WWAN 5G NR	1/3/7/8/20/28/38	< 24 dBm
WWAN 5G NR	41/77/178	< 27 dBm

A termékfigurációtól függően előfordulhat, hogy nem minden vezeték nélküli sáv engedélyezett.

Az eszköz használata beltérre, az 5150–5350 MHz-es és a 5945–6245 MHz-es frekvenciatartományra korlátozódik.

[Română]

Rată transfer USB

Citiți declarația privind rata de transfer USB din *Ghidul utilizatorului*. Pentru a accesa *Ghidul utilizatorului*, vizitați <https://pcsupport.lenovo.com>.

Rata specifică de absorbție (SAR)

DISPOZITIVUL DUMNEAVOASTRĂ RESPECTĂ REGULILE INTERNAȚIONALE PRIVIND EXPUNEREA LA UNDELE RADIO.

Pentru limita SAR 10g și pentru valorile maxime raportate SAR, consultați următoarele:

Limita SAR 10g: 2 W/kg (limita SAR pentru dispozitive purtate asupra corpului); 4 W/kg (limita SAR pentru membre)

Limita maximă SAR pentru dispozitive purtate asupra corpului la o distanță minimă de 0 mm: 1,137 W/kg (limita SAR pentru dispozitive purtate asupra corpului); 3,178 W/kg (limita SAR pentru membre)

Pentru mai multe informații despre SAR, consultați *Ghidul pentru măsuri de siguranță și garanție* primit odată cu dispozitivul.

Uniunea Europeană (UE) / Regatul Unit (UK) - frecvență radio și alimentare

Acest echipament radio funcționează cu următoarele benzi de frecvență și puteri maxime ale frecvenței radio:

Tehnologie	Frecvență [MHz]/bandă	Puterea maximă de transmisie
WLAN 802.11b/g/n/ax	2400 - 2483,5	< 20 dBm
WLAN 802.11a/n/ac/ax	5150 - 5725	< 23 dBm
WLAN 802.11a/n/ac/ax	5725 - 5875	< 13,98 dBm
WLAN 802.11ax	5945 - 6425	< 23 dBm
Bluetooth BR/EDR/LE	2400 - 2483,5	< 20 dBm
WWAN UMTS	1/8	< 24,5 dBm
WWAN LTE	1/3/7/8/20/28/34/38/40/42/43	< 25 dBm
WWAN 5G NR	1/3/7/8/20/28/38	< 24 dBm
WWAN 5G NR	41/77/78	< 27 dBm

Este posibil ca nu toate benzile wireless să fie activate, în funcție de configurația produsului.

Folosirea acestui dispozitiv este limitată la interior, în benzile de 5150 - 5350 MHz și 5945 - 6245 MHz.

[ภาษาไทย]

อัตราการถ่ายโอนข้อมูลผ่าน USB

อนาค้าชี้แจงเกี่ยวกับอัตราการถ่ายโอนข้อมูลผ่าน USB ได้ใน คู่มือผู้ใช้ หากต้องการเข้าถึง คู่มือผู้ใช้ โปรดไปที่ <https://pcsupport.lenovo.com>

ข้อมูลความสอดคล้องกับวิทยุไร้สายสำหรับประเทศไทย

เครื่องโทรคมนาคมและอุปกรณ์นี้มีความสอดคล้องตามมาตรฐาน หรือข้อกำหนดทางเทคนิคของ กสทช.

เครื่องวิทยุคมนาคมนี้มีอัตราการดูดกลืนพลังงานจำเพาะ (Specific Absorption Rate – SAR)

อันเนื่องมาจากเครื่องวิทยุคมนาคม

เท่ากับ 1.498 W/kg ซึ่งสอดคล้องตามมาตรฐานความปลอดภัย

ต่อสุขภาพของมนุษย์จากการใช้เครื่องวิทยุคมนาคมที่ กสทช. ประกาศกำหนด

[Bahasa Indonesia]

Kecepatan transfer USB

Baca pernyataan tentang kecepatan transfer USB di *Panduan Pengguna*. Untuk mengakses *Panduan Pengguna*, kunjungi <https://pcsupport.lenovo.com>.

First Edition (April 2022)

© Copyright Lenovo 2022.

LIMITED AND RESTRICTED RIGHTS NOTICE: If data or software is delivered pursuant to a General Services Administration "GSA" contract, use, reproduction, or disclosure is subject to restrictions set forth in Contract No. GS-35F-05925.

LENOVO, LENOVO logo, THINKPAD, and THINKPAD logo are trademarks of Lenovo. Intel and Thunderbolt are trademarks of Intel Corporation or its subsidiaries in the U.S. and/or other countries. The terms HDMI and HDMI High-Definition Multimedia Interface are trademarks or registered trademarks of HDMI Licensing LLC in the United States and other countries. USB-C is a registered trademark of USB Implementers Forum. All other trademarks are the property of their respective owners.

Reduce | Reuse | Recycle



