

Unpacking, Installation, and Customization

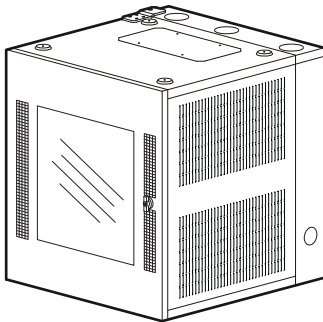
NetShelter WX Cabinet

AR100

AR100HD

990-0392E

Publication Date: January 2020



APC[™]

by Schneider Electric

APC by Schneider Electric Legal Disclaimer

The information presented in this manual is not warranted by APC by Schneider Electric to be authoritative, error free, or complete. This publication is not meant to be a substitute for a detailed operational and site specific development plan. Therefore, APC by Schneider Electric assumes no liability for damages, violations of codes, improper installation, system failures, or any other problems that could arise based on the use of this Publication.

The information contained in this Publication is provided as is and has been prepared solely for the purpose of evaluating data center design and construction. This Publication has been compiled in good faith by APC by Schneider Electric. However, no representation is made or warranty given, either express or implied, as to the completeness or accuracy of the information this Publication contains.

IN NO EVENT SHALL APC BY SCHNEIDER ELECTRIC, OR ANY PARENT, AFFILIATE OR SUBSIDIARY COMPANY OF APC by Schneider Electric OR THEIR RESPECTIVE OFFICERS, DIRECTORS, OR EMPLOYEES BE LIABLE FOR ANY DIRECT, INDIRECT, CONSEQUENTIAL, PUNITIVE, SPECIAL, OR INCIDENTAL DAMAGES (INCLUDING, WITHOUT LIMITATION, DAMAGES FOR LOSS OF BUSINESS, CONTRACT, REVENUE, DATA, INFORMATION, OR BUSINESS INTERRUPTION) RESULTING FROM, ARISING OUT, OR IN CONNECTION WITH THE USE OF, OR INABILITY TO USE THIS PUBLICATION OR THE CONTENT, EVEN IF APC BY SCHNEIDER ELECTRIC HAS BEEN EXPRESSLY ADVISED OF THE POSSIBILITY OF SUCH DAMAGES. APC BY SCHNEIDER ELECTRIC RESERVES THE RIGHT TO MAKE CHANGES OR UPDATES WITH RESPECT TO OR IN THE CONTENT OF THE PUBLICATION OR THE FORMAT THEREOF AT ANY TIME WITHOUT NOTICE.

Copyright, intellectual, and all other proprietary rights in the content (including but not limited to software, audio, video, text, and photographs) rests with APC by Schneider Electric or its licensors. All rights in the content not expressly granted herein are reserved. No rights of any kind are licensed or assigned or shall otherwise pass to persons accessing this information.

This Publication shall not be for resale in whole or in part.

Contents

- Unpacking..... 1**
 - Unpack the cabinet.....1
 - Please Recycle 1

- Product Overview..... 2**
 - Description 2
 - NetShelter WX Cabinet 2
 - Disclaimer 2

- Inventory 3**
 - Verify the inventory 3
 - Component Identification 3

- Configuration..... 4**
 - Door locks 4
 - Cable access 4
 - Reversing the cabinet 5
 - Mounting rails 5
 - Reverse the mounting rails 6
 - Adjust the depth of the front mounting rails 7

- Installation 8**
 - Assemble the Cabinet..... 8**
 - Attach the rubber feet 8

 - Mount the Cabinet to a Wall..... 9**

 - Place Equipment into the Cabinet..... 9**
 - Identifying one U-space 9
 - Installing equipment 10
 - Cage nuts 10

Specifications 11

Five-Year Factory Warranty..... 12

 Terms of warranty 12

 Non-transferable warranty 12

 Exclusions 12

 Warranty claims 13

Unpacking

Unpack the cabinet

⚠ WARNING

HEAVY EQUIPMENT HAZARD

At least two (2) people are required to move and unpack this equipment.

Failure to follow these instructions can result in death, or serious injury.

1. Move the shipping pallet to a firm, level surface. Inspect the packaging for signs of shipping damage. If you detect any shipping damage, contact Customer Support at www.apc.com.
2. Open the cardboard box and remove the four foam corner protectors.
3. With one person on each side of the cabinet, carefully lift the cabinet assembly out of the box and set it on the floor.

NOTE: Save the packaging if you intend to re-ship the cabinet.

Please Recycle



The shipping materials are recyclable. Save them for later use, or dispose of them appropriately.

Product Overview

Description

APC by Schneider Electric NetShelter™ Wall-mount cabinets provide storage for industry-standard (EIA/ECA-310) 482 mm (19 in) rack-mount hardware, including voice, data, networking, and inter-networking equipment.

NetShelter WX Cabinet

Model	Rack Mounting Height	Rack Mounting Width	External cabinet Width	Description
AR100	13 U†	482 mm (19 in)	584.2 mm (23 in)	Cabinet with glass door and M6 tapped mounting rails
AR100HD				Cabinet with vented door and M6 tapped mounting rails
†One U= 44.45 mm (1.75 in)				

This fully reversible unit has the following features:

- Storage height for 482 mm (19 in) rack-mount equipment
- Smoked, tempered glass front door (AR100) or fully vented front door (AR100HD)
- Solid rear door with keyholes for wall-mounting
- Locks on front and back doors
- Double hinge design provides front and rear access to installed equipment
- Adjustable front mounting rails with #12-24 tapped holes or square cage nut holes
- Fixed rear mounting rails with square cage nut holes
- Perforated side panel for side-to-side air flow.

Disclaimer

APC by Schneider Electric is not responsible for damage sustained during reshipment of this product.

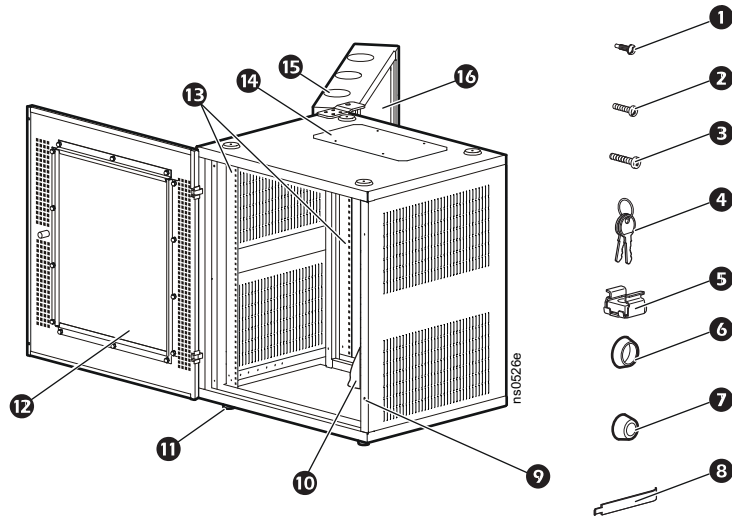
Inventory

Verify the inventory

Unpack the cabinet. Verify that all required components and hardware have been shipped.

NOTE: If any items are missing, contact the shipper to file a report. Then contact APC by Schneider Electric Customer Support at www.apc.com.

Component Identification



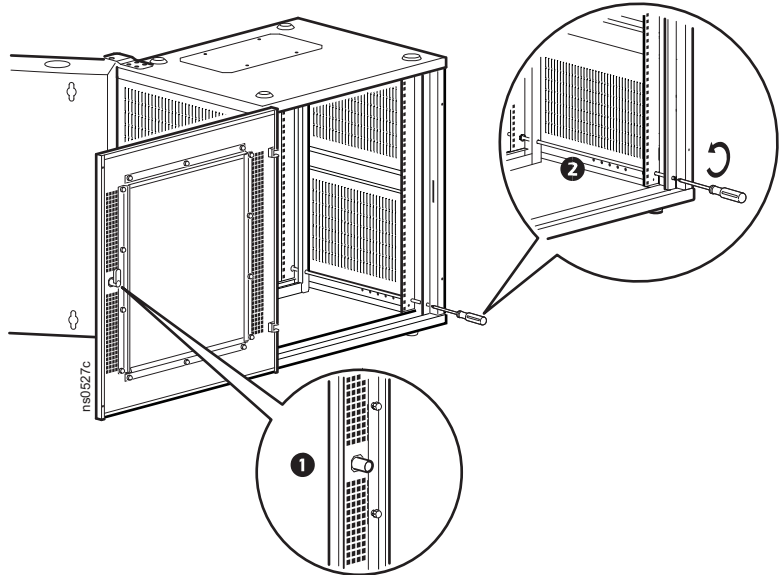
Item	Description	Qty	Item	Description
1	12-24 x 1/2 combo pan head screws	30	9	Rear door locking rods
2	M6 x 16 Phillips slot screws	30	10	Hardware bag
3	M4 x 16 pan head screws	4	11	Rubber feet
4	Keys	2	12	Front door
5	Cage nuts	30	13	Vertical mounting rails
6	Plastic cup washers	30	14	Removable access plate
7	Rubber feet	4	15	Cable access hole covers
8	Cage nut tool	1	16	Rear door

Configuration

Before installing your cabinet, plan the location and arrangement of components within the cabinet based on the available space.

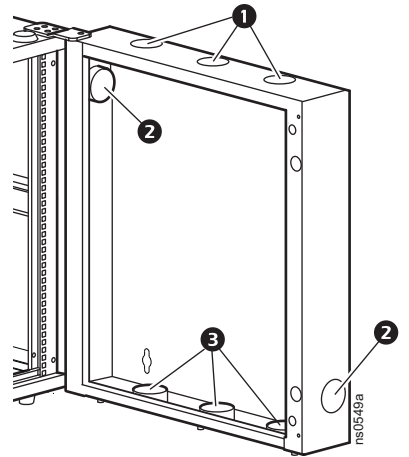
Door locks

The front and back doors of the unit have locks. The front door uses a key lock ❶, and the back door uses two locking rods ❷ that are accessible from the front of the unit. Use a small flat tip screwdriver to remove each locking rod.

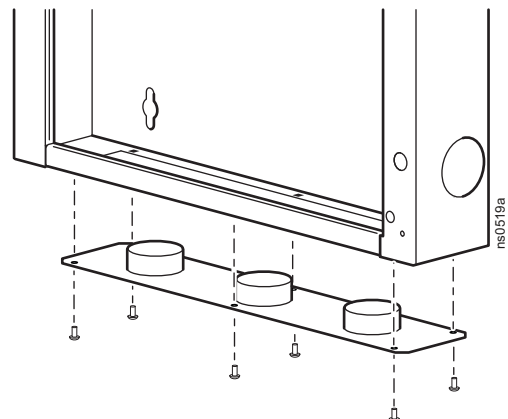


Cable access

The back door of the cabinet has eight (8) openings for cable access: three (3) in the top of the door ❶, one (1) in either side of the door ❷, and three (3) in the bottom of the door ❸. Each opening has an adjustable plastic cap for cable access.

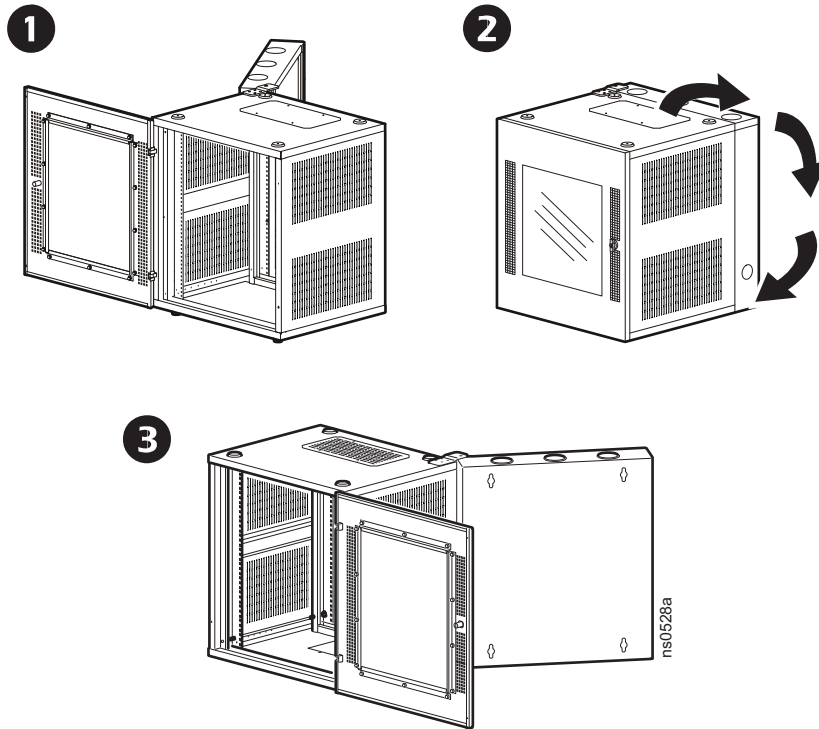


For unrestricted access to the back of the cabinet when the standard openings are insufficient, remove the six (6) screws securing the access plate to the bottom of the rear door.



Reversing the cabinet

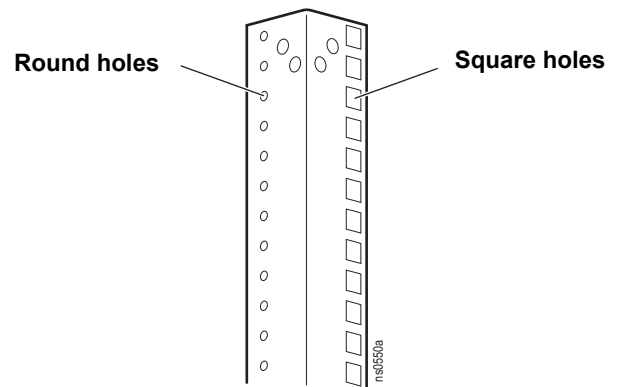
You can reverse the cabinet to accommodate various configurations. Turn it over so that the doors open in the opposite direction.



Mounting rails

This cabinet has square holes for using cage nuts and round #12-24 tapped holes for screws. You can reverse the front mounting rails to use either set of holes. You can also adjust the depth of the front rails to accommodate your equipment.

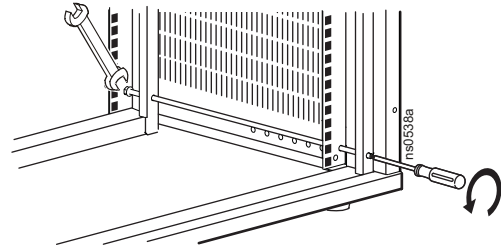
See “Reverse the mounting rails” on page 6 and “Adjust the depth of the front mounting rails” on page 7.



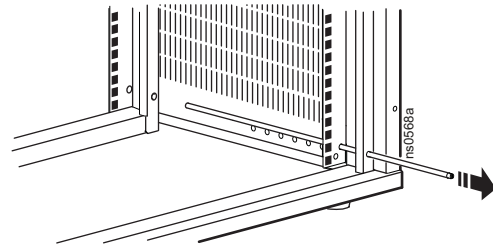
Reverse the mounting rails

To reverse the front mounting rails, you must remove the locking rods, which are threaded through the upper and lower holes in the rail on the lock side of the cabinet, as shown.

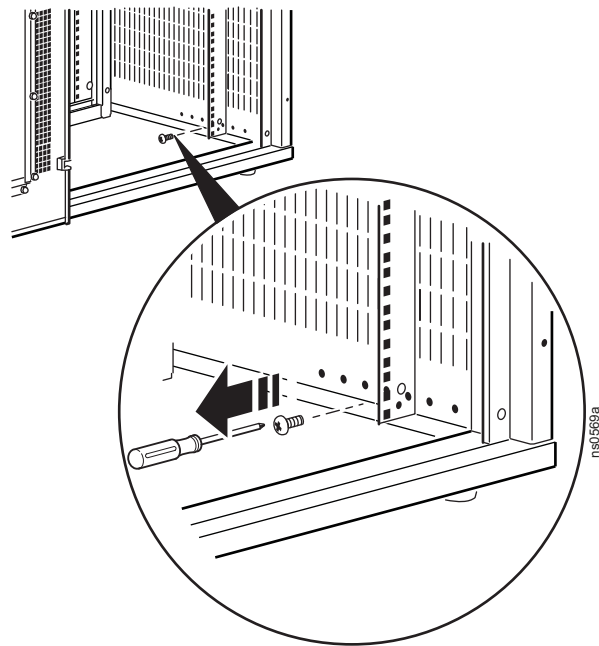
1. Each rod is held in place by a locking nut at the back of the cabinet. Use a 10 mm wrench to hold the nuts while you use a small flat tip screwdriver to remove the locking rods.



2. Remove the rods from the cabinet.

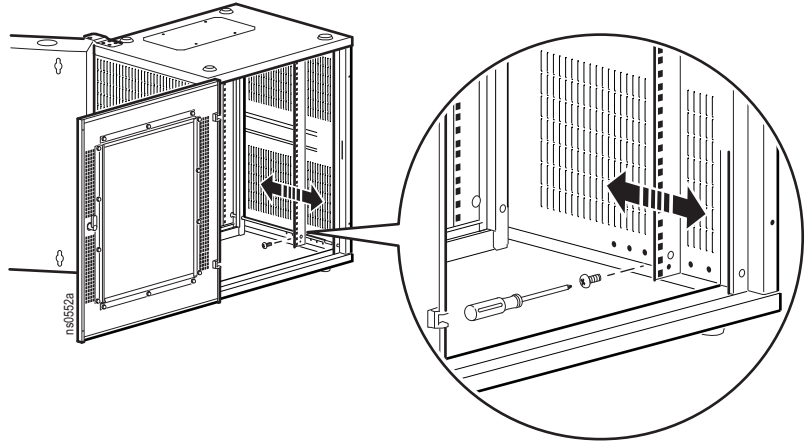


3. Use a Phillips head screwdriver to remove the screws at the top and bottom of both rails.
4. Turn the rails over so that the upper and lower holes are facing the front of the cabinet.
5. Adjust the depth of the rails as required. See step 2 and step 3 of "Adjust the depth of the front mounting rails" on page 7.
6. Re-insert the locking rod through the holes at the top and bottom of the rail. Use the nuts to secure the locking rods in place. Use a small flat tip screwdriver to lock the rear door.



Adjust the depth of the front mounting rails

1. Use a Phillips head screwdriver to remove the screws in the front mounting rail.
2. Reposition the mounting rail to the front or back of the cabinet in one of the seven available positions.
3. Replace and tighten the screws in the highest and lowest holes.



Installation

Assemble the Cabinet

⚠ WARNING

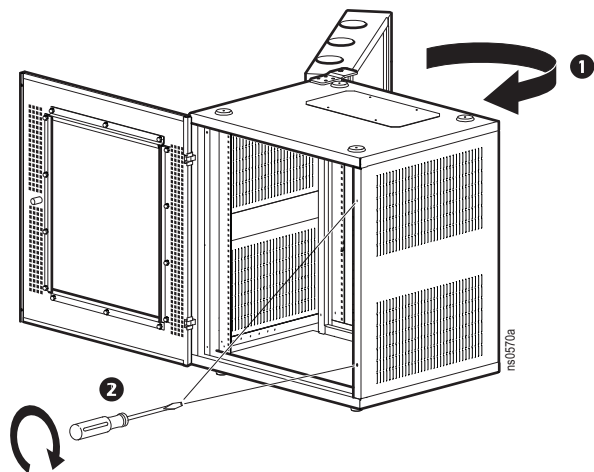
TIP HAZARD

To prevent the unit from tipping or becoming unstable, install the rubber feet or securely mount it to the wall before installing any components.

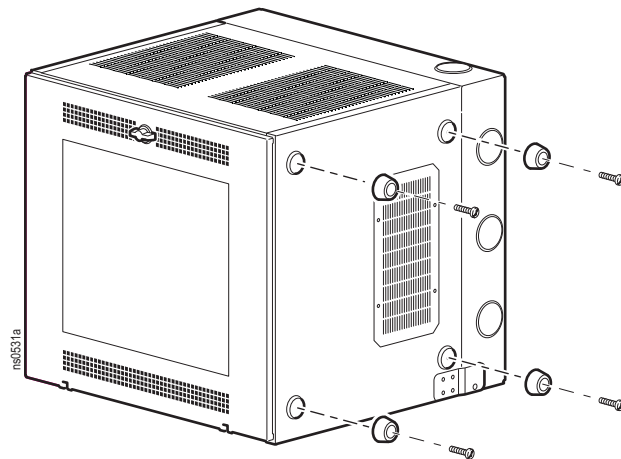
Failure to follow these instructions can result in death, serious injury, or equipment damage.

Attach the rubber feet

1. Move the cabinet to a level location.
2. Close the back door **1**.
3. Using a flat tip screwdriver, turn the locking rods clockwise to lock the back door **2**.
4. Close the front door and secure it by turning the handle clockwise.



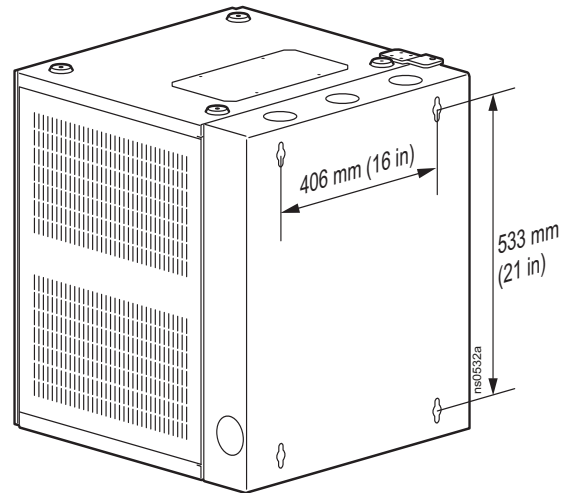
5. Lay the cabinet on its side.
6. Attach the rubber feet with the supplied screws.
7. Set the cabinet upright.



Mount the Cabinet to a Wall

There are four keyhole cutouts on the back door that will accommodate up to a 0.953 mm (3/8 in) bolt. The holes are on standard 406.4 mm (16 in) centers horizontally, and 533 mm (21 in) centers vertically. Use the included template with a level to position the cabinet properly.

Use appropriate fasteners to secure the cabinet to the wall. For the weight of the cabinet and its maximum weight capacity, see “Specifications” on page 11.



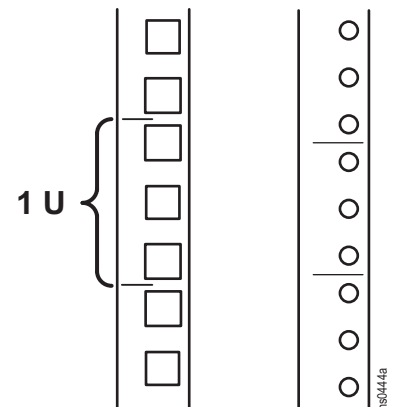
Place Equipment in the Cabinet

For specific information on how to mount rack equipment in the cabinet, see the installation instructions supplied with the equipment.

NOTE: APC by Schneider Electric Uninterruptible Power Supply (UPS) products should be mounted in the bottom of the cabinet. The UPS products will rest on the bottom cross-members of the cabinet.

Identifying one U-space

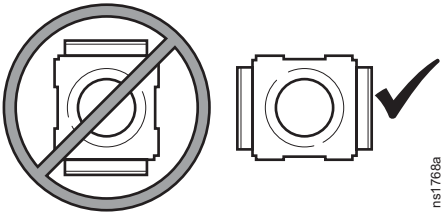
To install most equipment, you must locate the top and bottom of a U-space on the mounting rails. This cabinet has square holes for using cage nuts and round #12-24 tapped holes for screws. For the cage nuts and the tapped holes, the narrower space above and below each set of the three mounting holes indicates the top and bottom of a U-space.



Installing equipment

1. Review the equipment manufacturer's installation instructions.
2. Locate the top and bottom U-space on the mounting rails.
3. Install the cage nuts on the interior of the mounting rails, unless you are using the tapped holes. Then install the equipment.

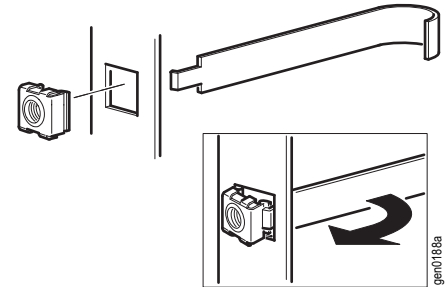
Cage nuts

⚠ CAUTION	
 <small>inst1768a</small>	<p>FALLING EQUIPMENT</p> <p>To ensure equipment installs securely, install cage nuts with tabs engaging the left and right sides of the square hole. Do NOT install cage nuts with tabs engaging the top and bottom of the square hole.</p> <p>Failure to follow these instructions can result in injury or equipment damage.</p>

To install a cage nut:

1. From the inside of the enclosure insert the cage nut into the square hole by hooking a tab from one side of the cage nut onto one side of the opening.
2. Place the cage nut tool onto the tab on the opposite side of the cage nut and pull to snap it into position.

To remove a cage nut: Squeeze the tabs together to release.



Specifications

Item	Measurement
Height	662 mm (26.07 in)
Width	584 mm (23.00 in)
Depth	631 mm (24.86 in)
Maximum equipment depth	482.60 mm (19.00 in)
Net weight	42.73 kg (94.00 lb)
Equipment weight capacity	90.9 kg (200.00 lb)
Ventilation (front door)	143 870.70 mm ² (223.00 in ²)
Ventilation (side panel)	170 772 mm ² (264.6971 in ²) of perforated area X ~45.22% open = 77 222.37 mm ² (119.695in ²)
Ventilation (glass front door)	15 483.84 mm ² (24.00 in ²)
Mounting space (without fan tray installed)	13 U or 577.85 mm (22.75 in)

Five-Year Factory Warranty

The limited warranty provided by APC by Schneider Electric in this Statement of Limited Factory Warranty applies only to products you purchase for your commercial or industrial use in the ordinary course of your business.

Terms of warranty

APC by Schneider Electric warrants its products to be free from defects in materials and workmanship for a period of five years from the date of purchase. The obligation of APC by Schneider Electric under this warranty is limited to repairing or replacing, at its sole discretion, any such defective products. This warranty does not apply to equipment that has been damaged by accident, negligence, or misapplication or has been altered or modified in any way. Repair or replacement of a defective product or part thereof does not extend the original warranty period. Any parts furnished under this warranty may be new or factory-remanufactured.

Non-transferable warranty

This warranty extends only to the original purchaser who must have properly registered the product. The product may be registered at the APC by Schneider Electric Web site, www.apc.com.

Exclusions

APC by Schneider Electric shall not be liable under the warranty if its testing and examination disclose that the alleged defect in the product does not exist or was caused by end user's or any third person's misuse, negligence, improper installation or testing. Further, APC by Schneider Electric shall not be liable under the warranty for unauthorized attempts to repair or modify wrong or inadequate electrical voltage or connection, inappropriate on-site operation conditions, corrosive atmosphere, repair, installation, start-up by non-APC by Schneider Electric designated personnel, a change in location or operating use, exposure to the elements, Acts of God, fire, theft, or installation contrary to APC by Schneider Electric recommendations or specifications or in any event if the APC by Schneider Electric serial number has been altered, defaced, or removed, or any other cause beyond the range of the intended use.

THERE ARE NO WARRANTIES, EXPRESS OR IMPLIED, BY OPERATION OF LAW OR OTHERWISE, OF PRODUCTS SOLD, SERVICED OR FURNISHED UNDER THIS AGREEMENT OR IN CONNECTION HERewith. APC BY SCHNEIDER ELECTRIC DISCLAIMS ALL IMPLIED WARRANTIES OF MERCHANTABILITY, SATISFACTION AND FITNESS FOR A PARTICULAR PURPOSE. APC BY SCHNEIDER ELECTRIC EXPRESS WARRANTIES WILL NOT BE ENLARGED, DIMINISHED, OR AFFECTED BY AND NO OBLIGATION OR LIABILITY WILL ARISE OUT OF, APC BY SCHNEIDER ELECTRIC RENDERING OF TECHNICAL OR OTHER ADVICE OR SERVICE IN CONNECTION WITH THE PRODUCTS. THE FOREGOING WARRANTIES AND REMEDIES ARE EXCLUSIVE AND IN LIEU OF ALL OTHER WARRANTIES AND REMEDIES. THE WARRANTIES SET FORTH ABOVE CONSTITUTE APC BY SCHNEIDER ELECTRIC'S SOLE LIABILITY AND PURCHASER'S EXCLUSIVE REMEDY FOR ANY BREACH OF SUCH WARRANTIES. APC BY SCHNEIDER ELECTRIC WARRANTIES EXTEND ONLY TO PURCHASER AND ARE NOT EXTENDED TO ANY THIRD PARTIES.

IN NO EVENT SHALL APC BY SCHNEIDER ELECTRIC, ITS OFFICERS, DIRECTORS, AFFILIATES OR EMPLOYEES BE LIABLE FOR ANY FORM OF INDIRECT, SPECIAL, CONSEQUENTIAL OR PUNITIVE DAMAGES, ARISING OUT OF THE USE, SERVICE OR INSTALLATION, OF THE PRODUCTS, WHETHER SUCH DAMAGES ARISE IN CONTRACT OR TORT, IRRESPECTIVE OF FAULT, NEGLIGENCE OR STRICT LIABILITY OR WHETHER APC BY SCHNEIDER ELECTRIC HAS BEEN ADVISED IN ADVANCE OF THE POSSIBLY OF SUCH DAMAGES. SPECIFICALLY, APC BY SCHNEIDER ELECTRIC IS NOT LIABLE FOR ANY COSTS, SUCH AS LOST PROFITS OR REVENUE, LOSS OF EQUIPMENT, LOSS OF USE OF EQUIPMENT, LOSS OF SOFTWARE, LOSS OF DATA, COSTS OF SUBSTITUENTS, CLAIMS BY THIRD PARTIES, OR OTHERWISE.

NO SALESMAN, EMPLOYEE OR AGENT OF APC BY SCHNEIDER ELECTRIC IS AUTHORIZED TO ADD TO OR VARY THE TERMS OF THIS WARRANTY. WARRANTY TERMS MAY BE MODIFIED, IF AT ALL, ONLY IN WRITING SIGNED BY AN APC BY SCHNEIDER ELECTRIC OFFICER AND LEGAL DEPARTMENT.

Warranty claims

Customers with warranty claims issues may access the APC by Schneider Electric customer support network through the Support page of the APC by Schneider Electric Web site, **www.apc.com/support**. Select your country from the country selection pull-down menu at the top of the Web page. Select the Support tab to obtain contact information for customer support in your region.

APC Worldwide Customer Support

Customer support for this product is available at www.apc.com.

© 2020 APC by Schneider Electric. APC, the APC logo, and NetShelter are trademarks owned by Schneider Electric SE or its subsidiaries. All other trademarks may be property of their respective owners.