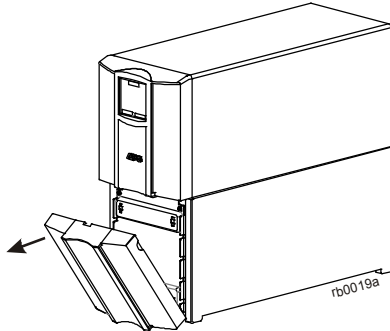


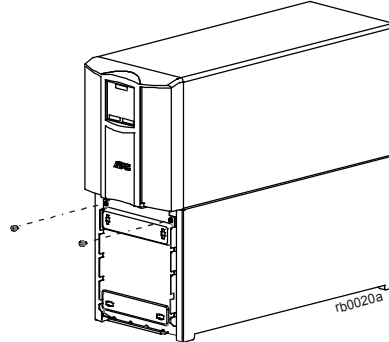
## Installation Guide Smart UPS™ APCRBC150

### Smart-UPS SMC 3000I

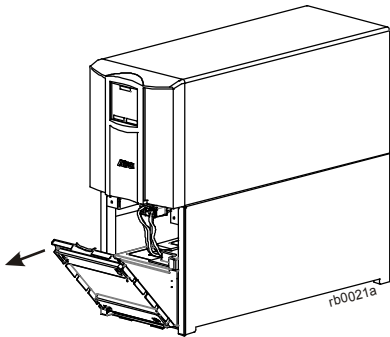
1



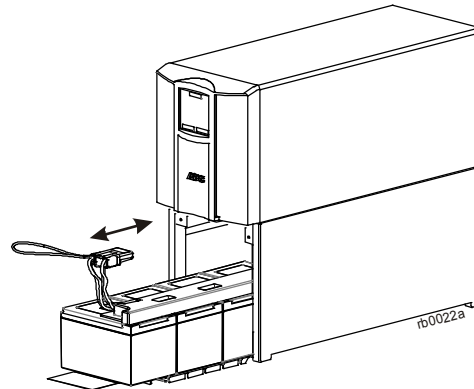
2



3



4



Customer support and warranty information is available at the APC by Schneider Electric Web site, [www.apc.com](http://www.apc.com).